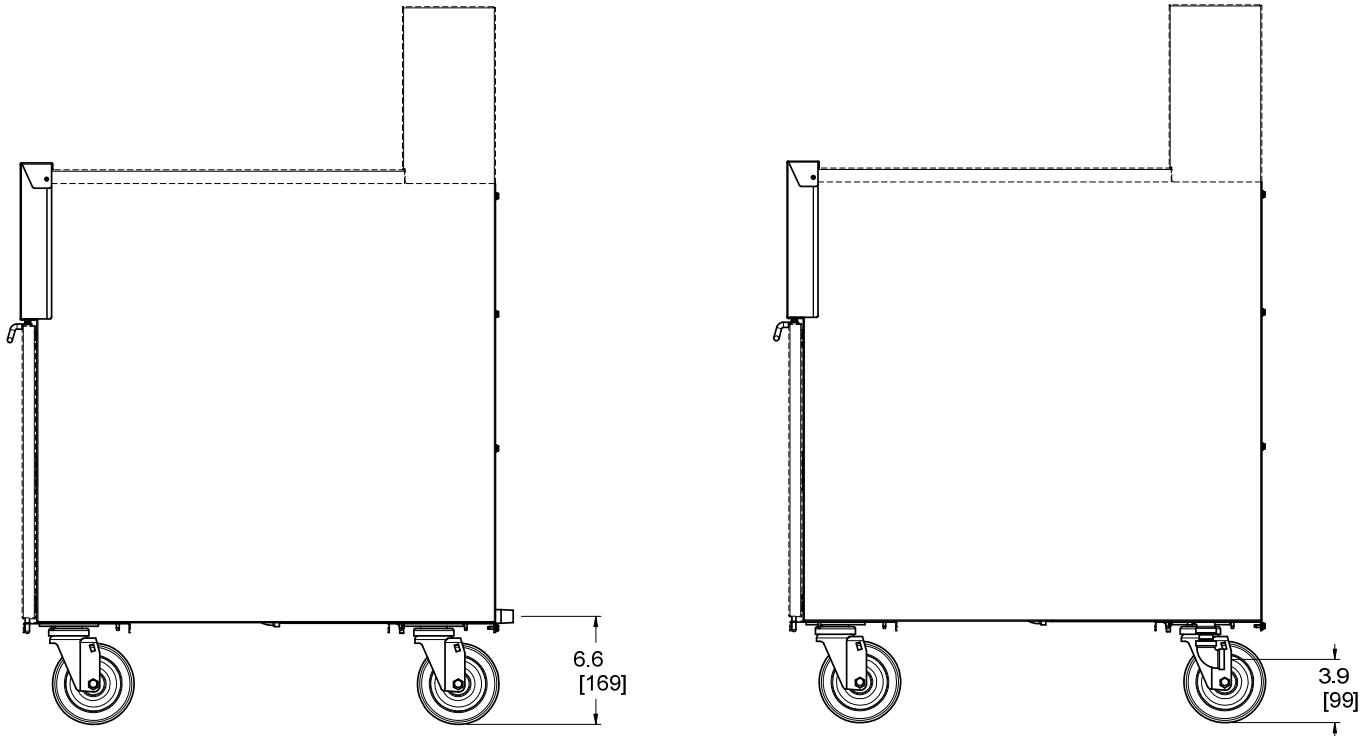


# Gas Line Hookup Kit

826-3356

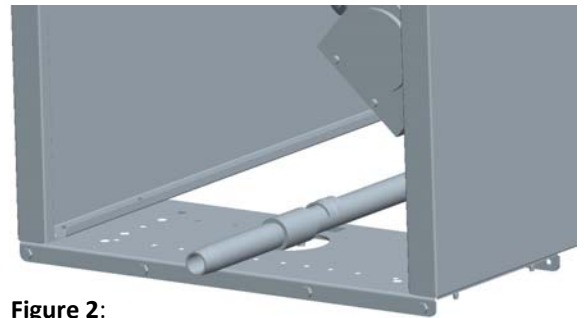


**Figure 1:** Provided hardware make the height and position of the gas connection optional.

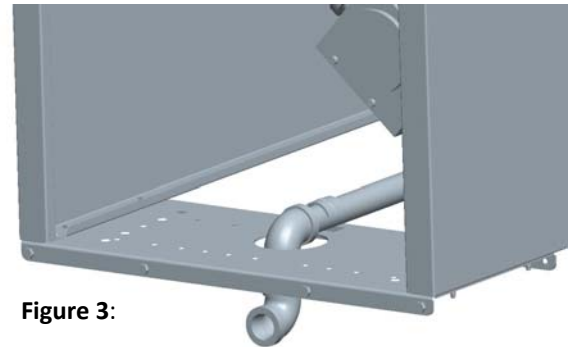
Hardware provided in this kit allows the gas line to exit straight out the back of the fryer and provide a connection 6.6 inches (169mm) from the floor or to exit through an inserted pair of elbows, which places the connection lower, 3.9 inches (99mm) from the floor. (See **Figure 1** above.)

Follow the instructions below to install the kit:

1. Determine the desired exit point/connection height for the gas connection.
2. Assemble the extension as shown in **Figure 2** for a straight exit to a 6.6 inch (169mm) connection above the floor.
3. Assemble the elbows as shown in **Figure 3** for a lower, 3.9 inches (99mm), above the floor connection.
4. Assemble either alignment using the provided Loctite.
5. Check connections with a leak-detection fluid.



**Figure 2:**



**Figure 3:**